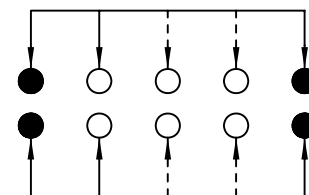
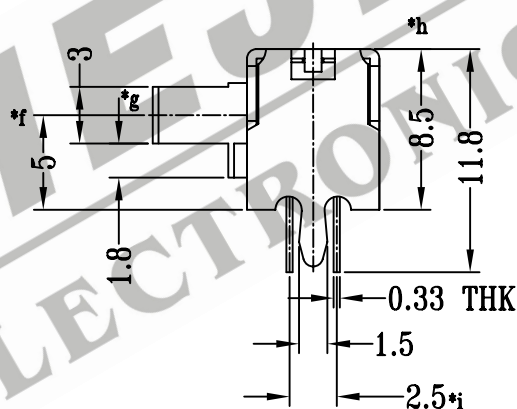
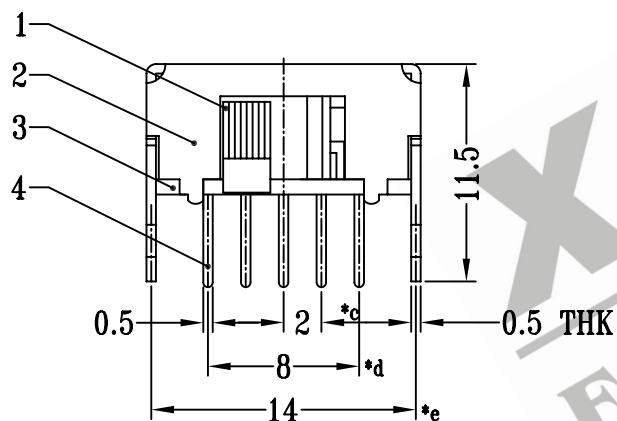
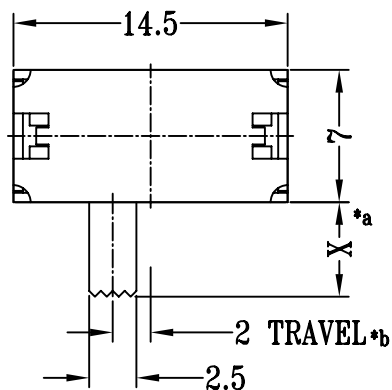
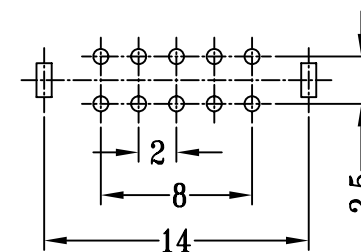


CAD FILE:



SCHMATIC (SHORTING)



P.C.B LAYOUT

注:带"*"表示关键尺寸(8个)

| NO. | PART NAME | MATERIAL | Q'TY | FINISHING | TOLERANCE UNLESS SPECIFIED | SHENZHEN XIEJIA ELECTRONICS CO.,LTD. | | | | |
|-----|--------------|-----------------|------|--------------------------|---|--------------------------------------|----------------------------|--------------|----------|-----------------|
| 8 | | | | | | TITLE : HORIZONTAL SLIDE SWITCH | | | | |
| 7 | | | | | | | | | | MODEL: SK-23D15 |
| 6 | SPRING PLATE | STAINLESS STEEL | 1 | NATURAL | WITHIN: 1.5±0.1mm | ISSUE | DATE | DESCRIPTIONS | | |
| 5 | CONTACT CLIP | PBS | 2 | Ag CLAD | OVER : 1.5±0.2mm | | | | | |
| 4 | TERMINAL | BRASS STRIP | 10 | Ag PLATED OVER Ni PLATED | | UNIT : MM | DRWG NO.: XJ-DR-SK23D15-00 | | | |
| 3 | BASE | PHENOLIC RESIN | 1 | NATURAL | | SCALE: 5:2 | DWN. | ZHOUYU | 2004-6-9 | |
| 2 | FRAME | STEEL STRIP | 1 | Zn PLATED | | | CHK'D | FANGYING | 2004-6-9 | |
| 1 | KNOB | POM | 1 | BLACK | | APPD. | KANGXINAN | 2004-6-9 | | |
| | | | | | ALL MATERIALS MUST BE COMPLIANT TO ROHS | | | | | |